

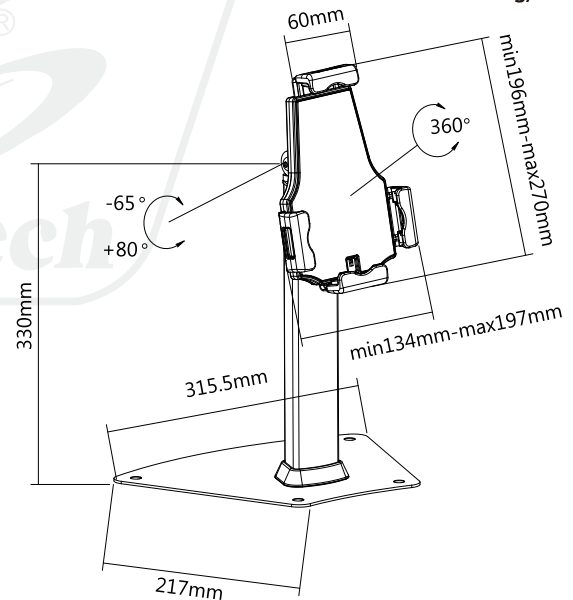
PAD21-03

Anti-theft Tablet Kiosk

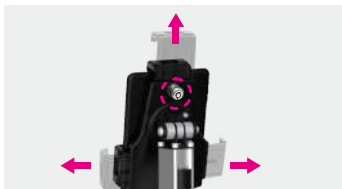
For Most 7.9"-10.5" Tablets



Weight Capacity
1kg/2.2lbs



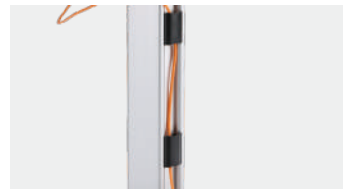
Universal Simplicity



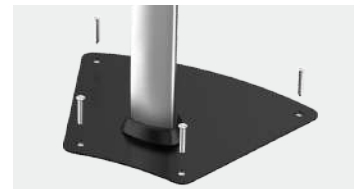
Retractable Leg
with security laptop lock to fit
different tablet size.



Freely Tilt and Rotate
for multiple viewing angle.



Cables can Run Along the Tube
for better organizing.



Large Fan-Shaped Solid Base
with mounting holes for
extra security.